



# P815



## Bi-amplified L/C/R Speaker

### Technical Specifications



- Main speaker for large to very large rooms, up to and including small cinemas
- Recommended for rooms 25 to 50 feet in depth
- THX Approved for integration into professional rooms, including THX Certified Screening Rooms and THX pm3 Studios
- 1.5" compression driver on elliptical constant directivity waveguide: 80°H x 50°V from 1.5 kHz
- 8" high-output midrange with 2.5" voice coil
- 15" woofer with 3" voice coil
- Identical Voice™ timbre-matched to Procella P8, P6, P610 and P860
- Sealed box design
- Shallow depth (11.0" / 280mm deep)
- 600W (P8) + 1,200W (P15Si) when external Procella DA-06 power amplifier is used
- DA-06 amp provides DSP control for room placement conditions including baffle wall and free standing

#### Frequency response

-3dB points 40Hz and 20kHz

#### Maximum SPL

free-standing 122dB continuous, 126dB peak  
in baffle wall 126dB continuous, 132dB peak

#### Components

Low (P15Si) 15" driver with 75mm voice coil in 92 litre sealed box  
Midrange (P8) 8" high output driver with 40mm (1.5") voice coil in 15 litre sealed box  
High Frequency (P8) 1.5" compression driver, Polyester diaphragm, on elliptical constant directivity waveguide

#### Impedance

Low (P15Si) 4 ohms nominal  
Mid/High (P8) 8 ohms nominal

#### Power Handling

Low (P15Si) 700W continuous, 1,500W peak  
Mid/High (P8) 250W continuous, 1,000W peak

#### Sensitivity

1m/1W 96 dB

#### Dispersion pattern

-6dB Constant directivity:  
80°H x 50°V from 1.5kHz

#### Crossover

4th Order Linkwitz-Reilly ,  
1.6 kHz and 150Hz

#### Connectivity

2 pair gold-plated binding posts

#### Construction

Void free MDF internally cross braced  
Semi matte textured black paint finish

#### Dimensions

HxWxD 40.6" x 18.9" x 11.0" / 1030 x 480 x 280 mm

#### Net weight

xxx Lbs / xx Kg

#### Shipping Cartons (2) and Weight

P8 HxWxD 19.75" x 23.5" x 12" / 357.5 lbs.  
500 x 585 x 305 mm / 19.0 Kg  
P15Si HxWxD 23.6" x 27.6" x 17.7" / 88 lbs.  
600 x 700 x 450mm / 40 Kg

#### Included

Connecting Bracket, Damper feet,  
Protective grilles

#### Assembly

Sweden; 100% QC testing

#### DA-06 Power Amplifier

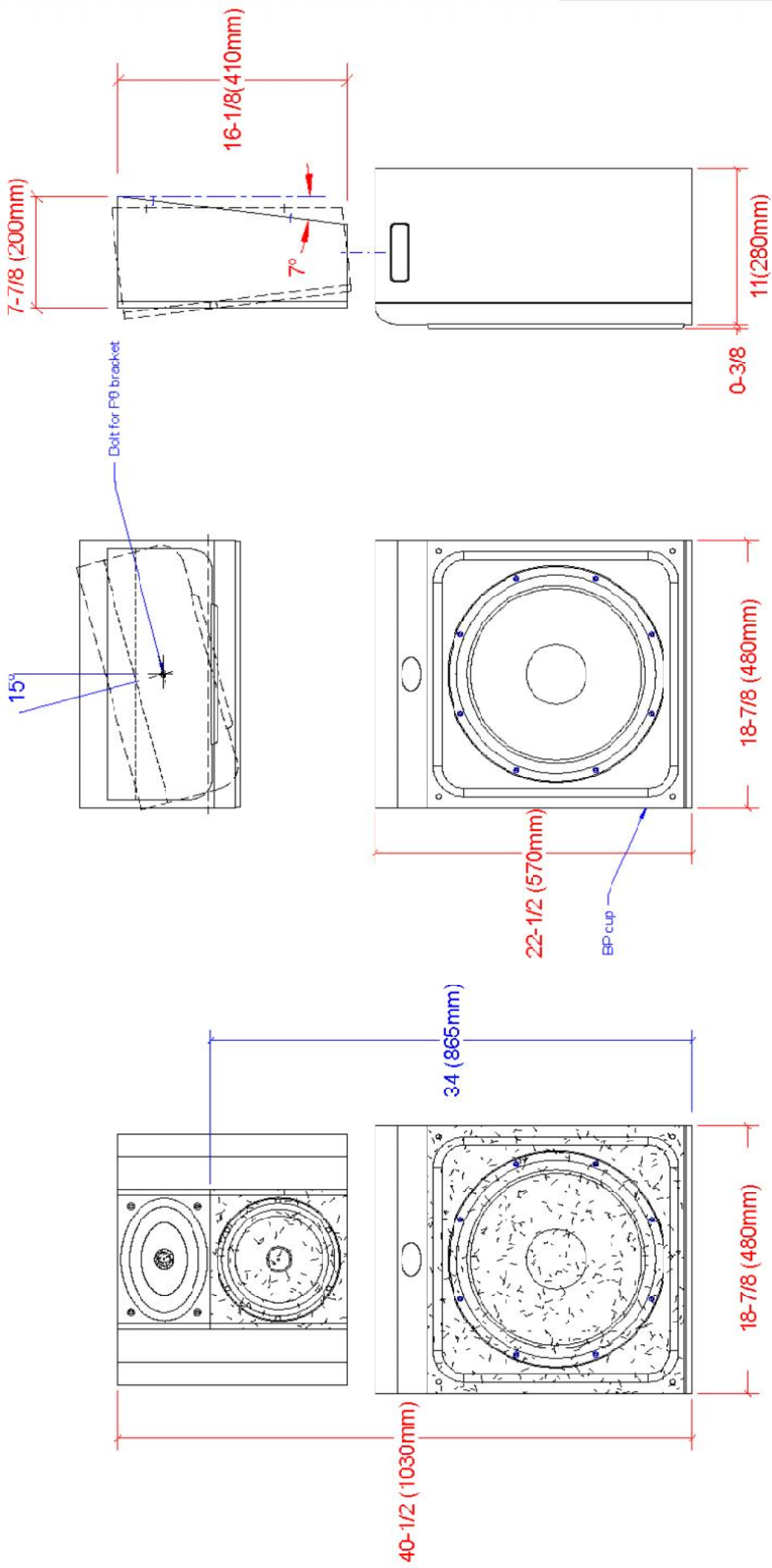
Sold and packaged separately.  
See DA-05 / DA-06 Tech Sheet.

#### Power

600W (P8) + 1,200W (P15Si)  
continuous, Class D

#### DSP Settings

Free standing, Against wall,  
User selectable In baffle wall, In baffle wall with  
compensation EQ for perf screen



Baffle wall cut-out for  
 P15Si = 610 x 510mm  
 P8 = 480 x 440mm  
 P815 = 1110 x 510mm

21mm MDF. Black, semi matte paint  
 VB: 51L - 40L filling  
 Packaging: 600x700x450mm

Procella P15Si dimensions  
 Anders Uggelberg 26/12 - 13  
 UPD: 22/2, 8/9  
 P15Si\_vue.CAD  
 Scale 1:10 (PDF/JPG-file not to scale)



T-nut tolerances: 0.5mm  
 Outside tolerance: +.2mm  
 Bracket position +.20mm  
 All other tolerances + 0.5mm